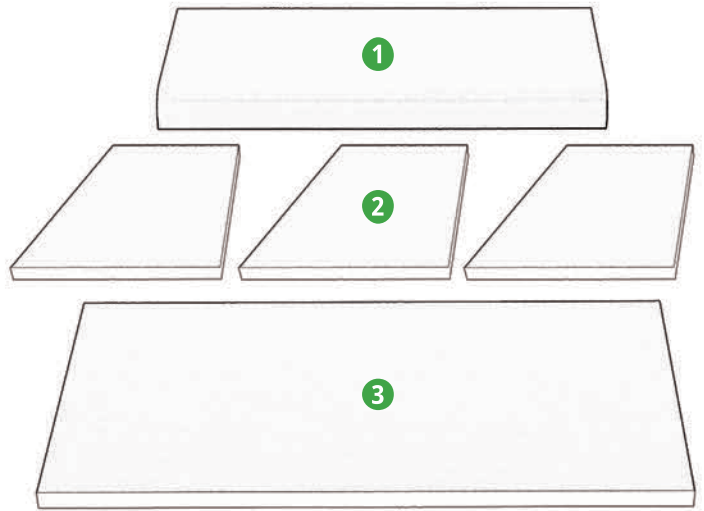
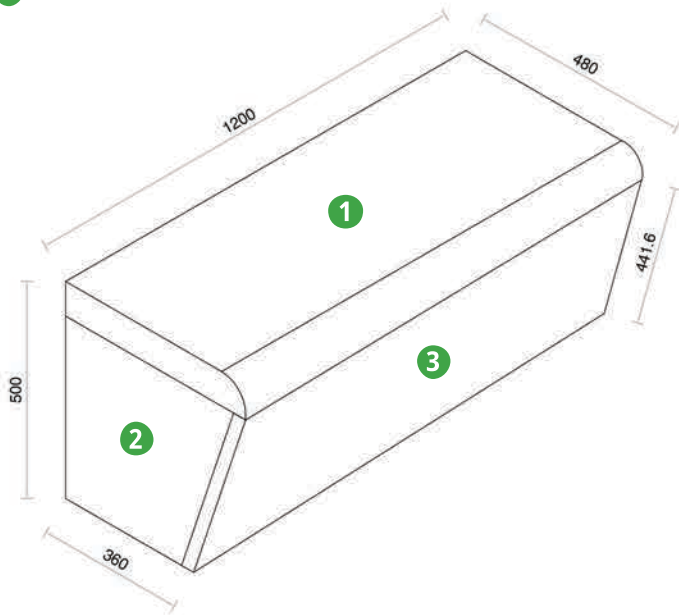


SHOWER BENCH COMPONENTS

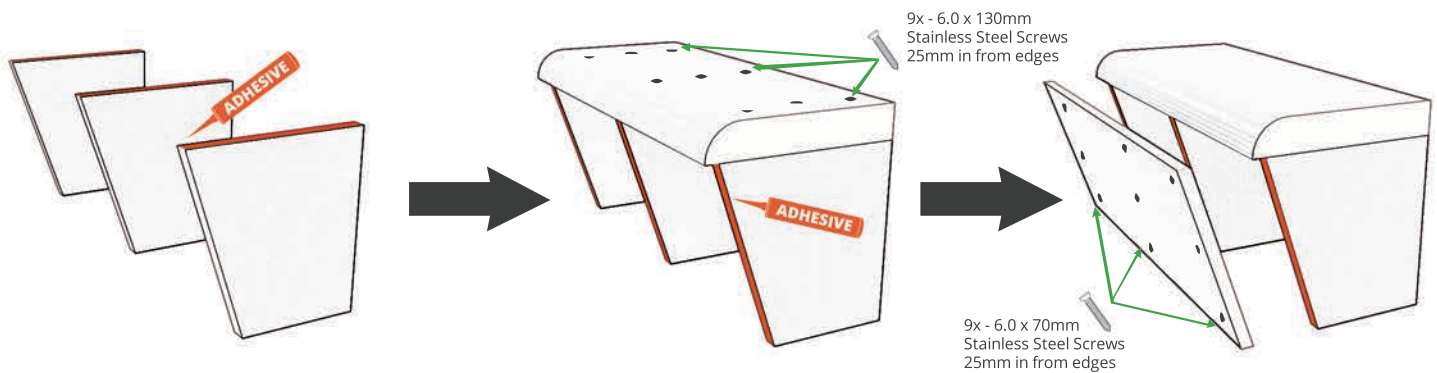


- 1 TOP SEAT PANEL
- 2 3X SUPPORTING PANELS
- 3 FRONT COVER PANEL



INSTALLATION:

Cut the bench down to the required size, if required. Glue the individual components together with a suitable adhesive and use the stainless steel screws provided to secure the panels to each other to prevent movement while the adhesive sets. Allow the adhesive to cure before tiling.



The bench can be used inside heated buildings, particularly in areas with a high level of humidity such as bathrooms, steam baths and spas. Temperatures should not exceed 75°C.

TILING / PLASTERING:

The top of the bench must be tiled to ensure an adequate load distribution. All other surfaces can be covered with tiles, plaster or cladding. Please seek the adhesive manufacturer's recommendations for use in areas with high levels of heat.

ELECTRIC HEATING MAT / CABLE:

Thermopanel Benches can be used with electric underfloor heating. The heating core must not exceed temperatures of 75°C. Please follow the manufacturers instructions for installation.